

EU Declaration of Conformity (DoC)

Declaration of conformity number HR1_2019

We,

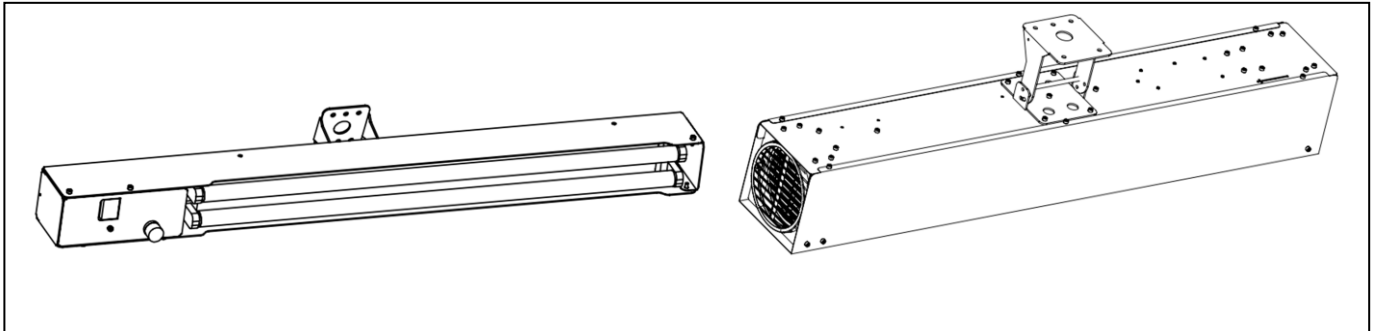
Company name: **Vulpes d.o.o.**
Postal address: **Gracanska 120a**
Postcode: **10000 Zagreb, Croatia**
Telephone number: **+385 98 450 603**
E-Mail address: **lasich@gmail.com**

declare that the DoC is issued under our sole responsibility and belongs to the following product:

Apparatus model/Product: UV-C DISINFECTION UNIT

Type: UV-0 110, UV-0 55, UV-L 110, UV-L 55

Batch: 0001



MUONIO HR1 is decentralized heat recovery ventilation. Two of these ventilators make system working together. System can be controlled locally or through the internet.

Features:

Wireless or wired

Disinfecting spaces and surfaces

System can work in demand controlled alternate mode or as very simple in/out UV disinfection unit.

UV-L, UV-O is part of broader system that combines ventilation and climate controls.

The object of the declaration described above is in conformity with the relevant Union harmonization legislation:

The Radio Equipment Directive 2014/53/EU (RED)

The following harmonised standards and technical specifications have been applied:

Health and Safety (Art 3(1) (a)):

EN 62479:2010

EN 60950-1:2006 + A11:2009 + A1:2010 + A12:2011 + A2:2013

EMC (Art.3(1) (b)):

EN 303 446-1 (SUBSTANDARD RADIO PART: EN 401 489-1, EN 301 489-17, SUBSTANDARD NON RADIO PART: EN 55014-1, EN 55032, EN 61000-3-2, EN 61000-3-3, EN 55014-2)

Spectrum (Art.3(2)):

EN 300 328 V2.1.1

This declaration of conformity is based on testing by:

RADIO part (health, spectrum): SGS with test reports SZEM181100965301, SZEM181100965302, SZEM181100965303 dated 19.11.2018. SGS notified body 4 digit number is 0890.

EMC part: SIQ Ljubljana, Slovenia with test report number T251-0486/19 dated 01.04.2019.

Safety part: CEI-IETA d.o.o., Croatia, EN 60335-1:2012 + A11:2014 + A13:2017 + A1:2019 + A14:2019 + A2:2019 with test report number 002-335/21 dated 18.02.2021.

Signed on behalf of Vulpes doo:

Hrvoje Lasic, CEO

Zagreb, 02.11.2021