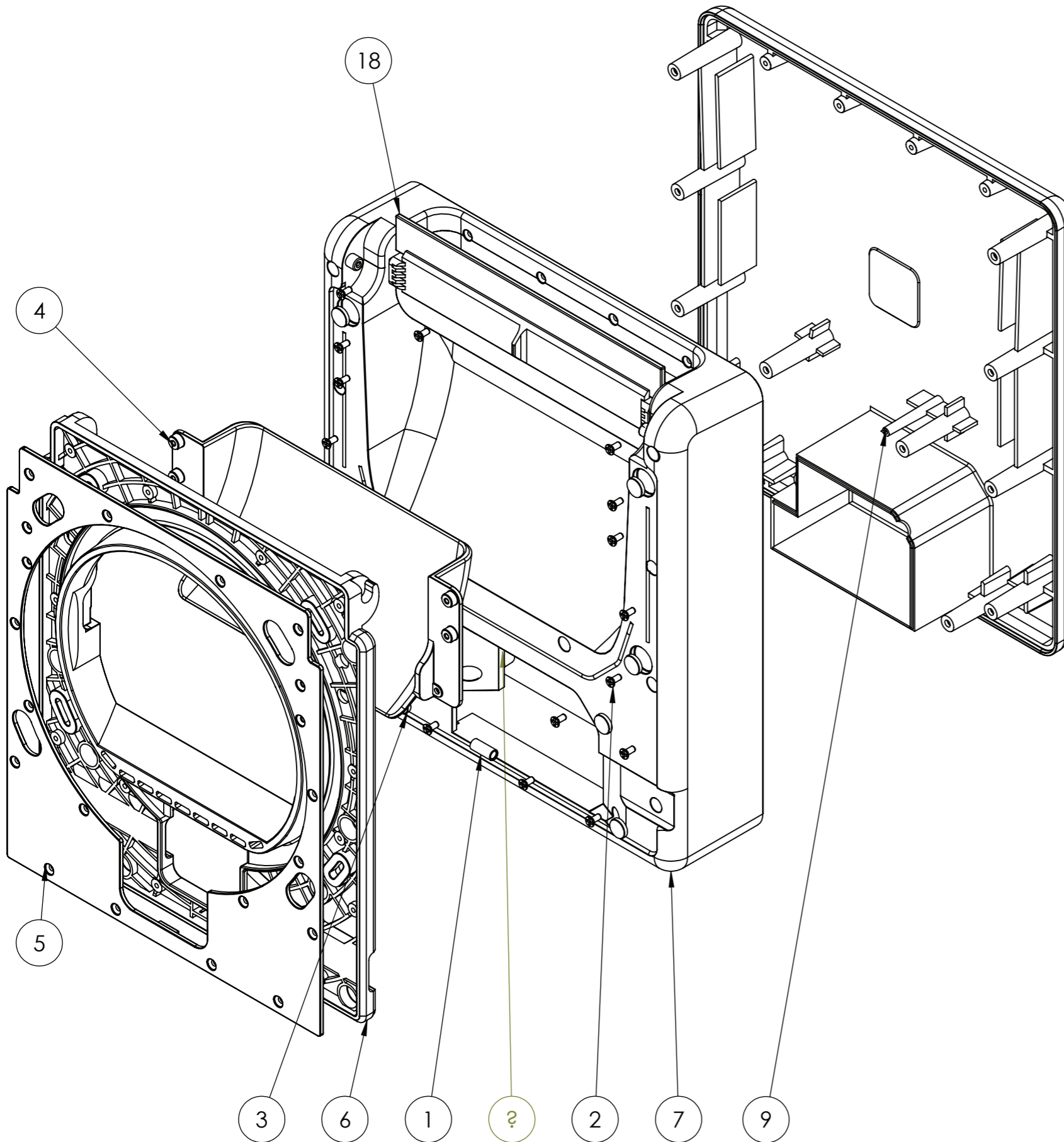
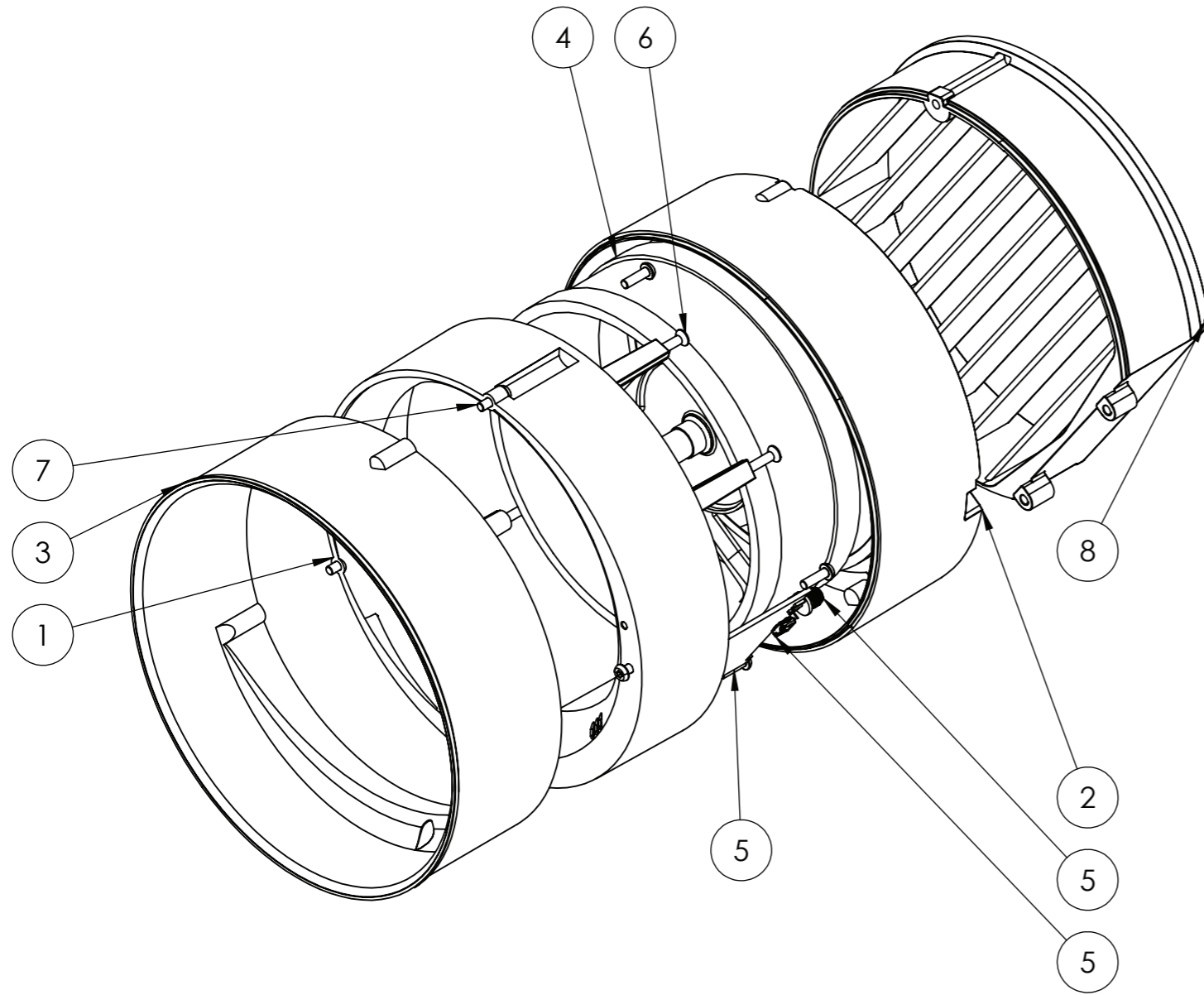


END OF LIFE DOCUMENT

HEAT RECOVERY VENTILATOR HR-1



ITEM NO.	PART NUMBER	DESCRIPTION	QTY.
1	Bubble level	ABS plastic	1
2	Screw	Mild steel	19
3	N magnet, N32-N45	Neodym magnet	9
4	HR_FLOW_ORGANIZER	ABS plastic	1
5	HR_BACK_COVER	ABS plastic	1
6	HR_BACKPLATE	ABS plastic	1
7	HR_FRONT_END_BODY_A	ABS plastic	1
8	POWER PCB	Electrical PCB	1
9	HR_FRONT_END_BODY_B	ABS plastic	1
10	Fan assembly		1
11	Screw	Mild steel	8
12	Insert	Bronze	8
13	Screw	Mild steel	4
14	Ceramic heat exchanger	Ceramic	1
15	Insulation	Expanded rubber insulation	3
16	Outer grill	Reinforced ABS (30%)	1
17	HR_FRONT_END_BODY_Y_A	ABS plastic	1
18	Air stream blockage	ABS & Silicon	1



ITEM NO.	PART NUMBER	DESCRIPTION	QTY.
1	HR_MAIN_BODY_A	Reinforced ABS (30% carbon fibers)	1
2	HR_MAIN_BODY_B	Reinforced ABS (30% carbon fibers)	1
3	HR_AEROFIL_ADAPTER	Reinforced ABS (30% carbon fibers)	1
4	VENTILATOR MOTOR	Electrical parts	1
5	PCB_MAIN_ASSEMBLY	PCB assembly	1
6	Screw	Mild steel	4
7	Screw	Mild steel	8
8	filter 5 - 5mm	ABS	1