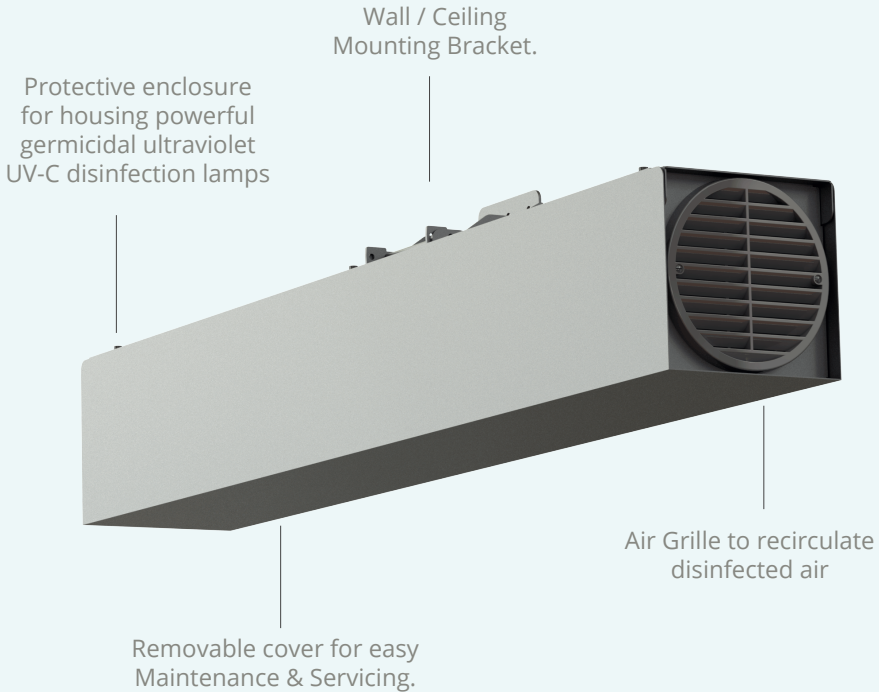


# MUONIO

FRESH & INTELLIGENT

## Neutralizes and Sanitises rooms Protecting against Corona-virus and other Viral and Bacterial infections



## Muonio UV-L Disinfection Ventilator Unit

# What is the Muonio UV-L ?

The UV-L 110 is a fan-assisted UV-C disinfection device that makes the air we inhale cleaner & healthier by significantly reducing the risk of airborne infections. The UV-C light kills or inactivates passing microbes by damaging their DNA.



## How does the UV-L Work?

When operated, it works towards eliminating Viruses, Bacteria & Fungi, Including SARS, Corona-viruses and mould, by continually exposing the micro-organisms in the air to the UV-C light.



## What does the UV-C light do?

The UV-C light kills or inactivates any treated microbes by damaging their DNA which prevents them from reproducing and spreading infection.



## Is the unit safe for the occupants in a Room?

When installed correctly, the UV-C Lamps are entirely hidden within the unit for safe operation in the presence of humans and does not generate any harmful by-products such as ozone.



## Are there any other benefits to having a UV-L Unit?

The UV-L is effective against all kinds of odours and harmful VOC - Volatile Organic Compounds.



## How is the UV-L unit Operated?

The UV-L can operate by local power-switching or timer control or controlled remotely via the Muonio Mobile phone or PC App



# Protection for you, your Clients, Staff and your Family, Friends & Colleagues.

Safe and effective air disinfection including odour neutralization in public and private buildings:

## Potential Applications:

- Schools
- Hospitals
- Nursing homes
- Health care facilities
- Doctor's office
- Restaurants
- Offices,
- Hair/Beauty salons,
- Leisure & fitness facilities,
- Public transport
- Private households
- And more ...



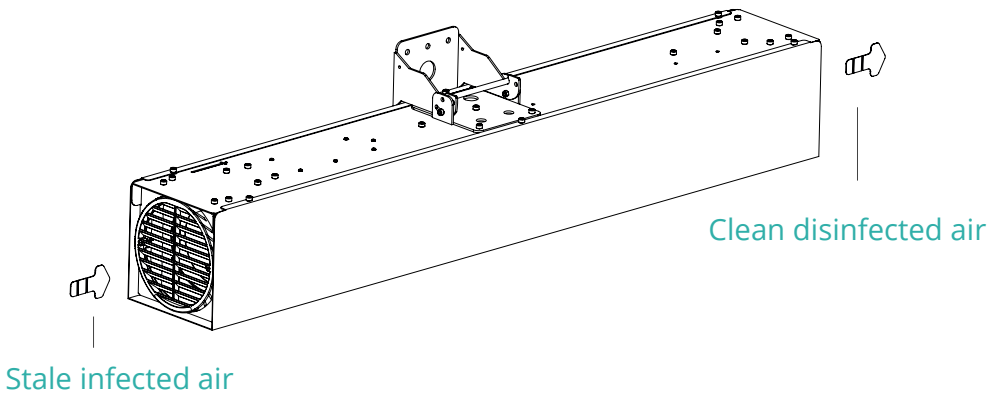
# Operating Principle

An internal fan draws stale infected air into & through the UV-L unit (up to 120 Cubic m/hr).

The air is disinfected by the 2 powerful internal UV-C lamps (Bulbs: Philips UV-C 55w).

Clean disinfected air is returned to the room creating a healthier living environment and the unit continues to recirculate.

**A single pass through the UV-L can deactivate more than 99% of pathogens in the air.**



MUONIO UV-L 110

**Mounting**

Horizontal  
Wall / Ceiling mounted

**UV-C Lamp power**

2 x 55w (Manufacturer: Philips)

**Dimensions**

1158 x 169 x 172 mm

# Backed by Science

Ultraviolet germicidal irradiation (UVGI) breaks down certain chemical bonds and scrambles the structure of the organism, making it unable to reproduce within the host and no longer infectious.

*Tests conducted on the effectiveness of the MUONIO UV-L 110 (UV-C radiation) unit, according to Standard EN 13098:2019 – (Measurement of airborne microorganisms and microbial compounds) including the multidrug-resistant strains, confirmed a highly-efficient reduction in the number of microorganisms. <sup>1</sup>*

Signify and Boston University have validated the effectiveness of UV-C in inactivating 99% of SARS-CoV-2 Virus within 6 seconds. <sup>2</sup>



<sup>1</sup>Andrija Štampar Teaching institute of public health (<https://www.stampar.hr/en>), test report nr. 05206-2 00031/21, available on request.

<sup>2</sup><https://www.signify.com/en-gb/our-company/news/press-releases/2020/20200616-signify-boston-university-validate-effectiveness-signify-uv-c-light-sources-on-inactivating-virus-that-causes-covid19>

This UV-L product is part of a comprehensive, digitally networkable modular system that combines all ventilation, air quality & heating/cooling requirements

FIND OUT MORE ABOUT OUR OTHER PRODUCTS  
ON OUR WEBSITE OR SPEAK TO US TODAY.

NRG Awareness Ltd  
Unit 8 Little Island Industrial Estate,  
Little Island.  
Cork, Ireland.  
T45E289  
00353 (0)21 4355728  
info@nrgawareness.com  
www.nrgawareness.com  
URL: <https://www.nrgawareness.com/product/muonio-uv-l-110-pro/>

**MUONIO**  
FRESH & INTELLIGENT

